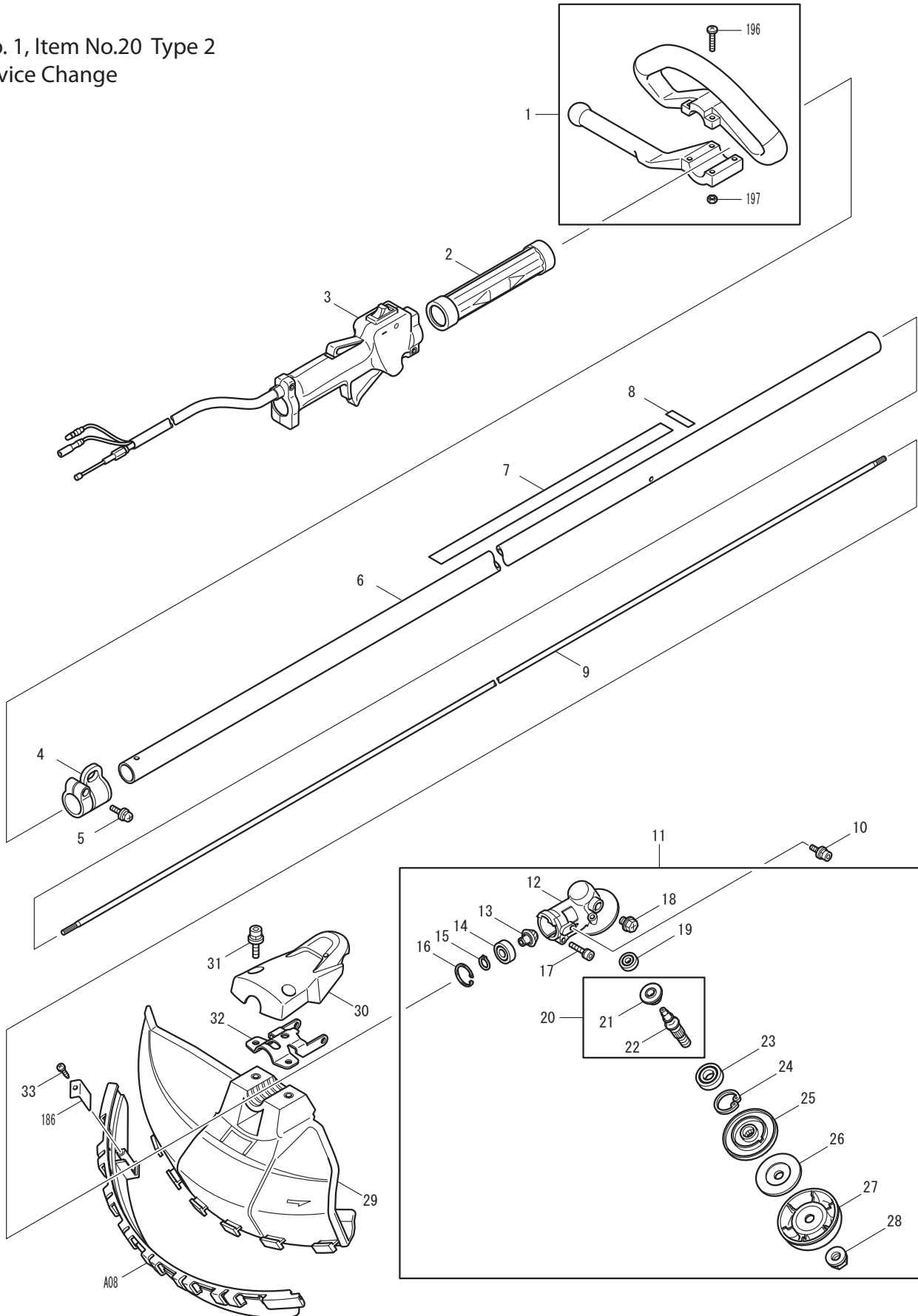


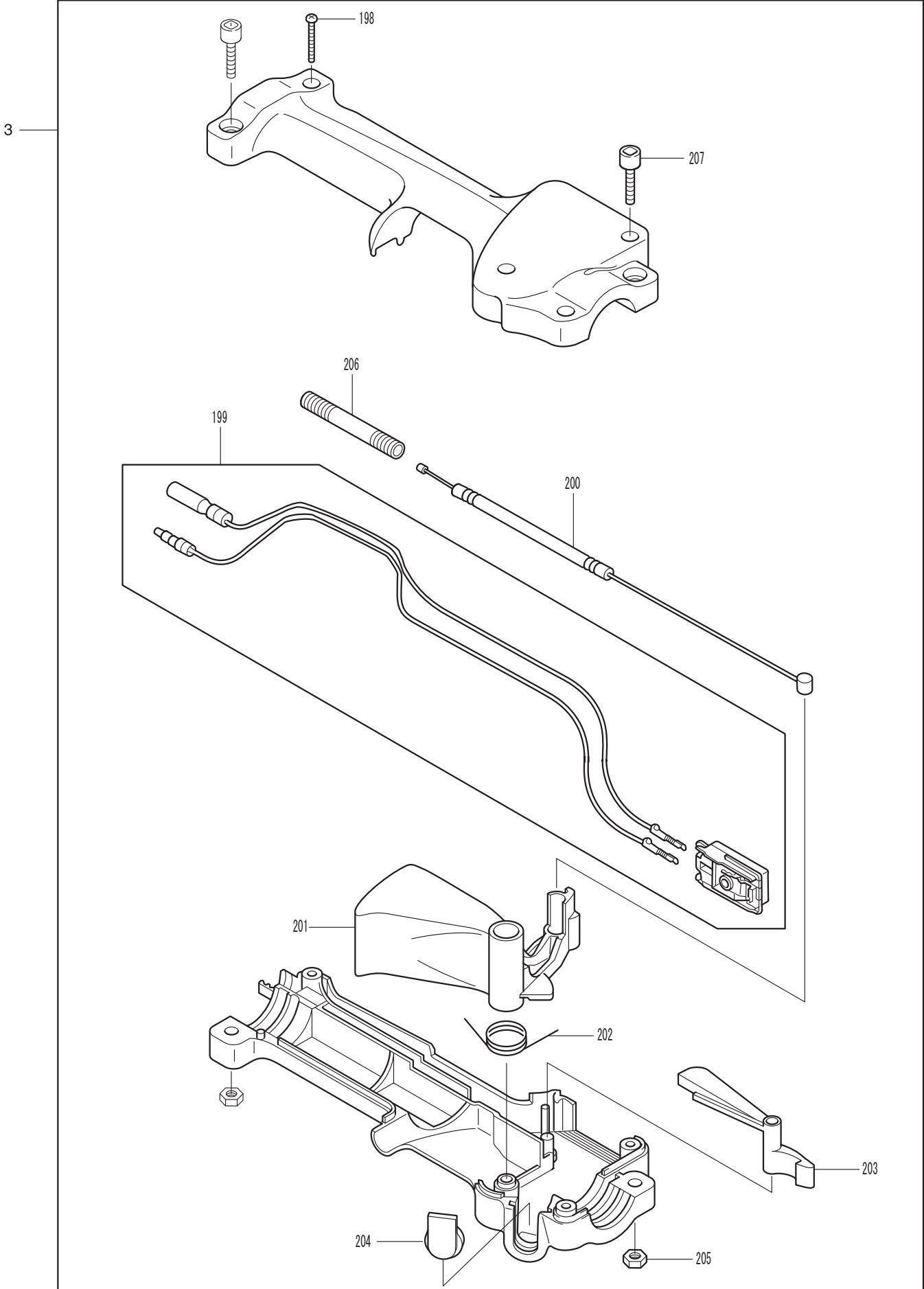


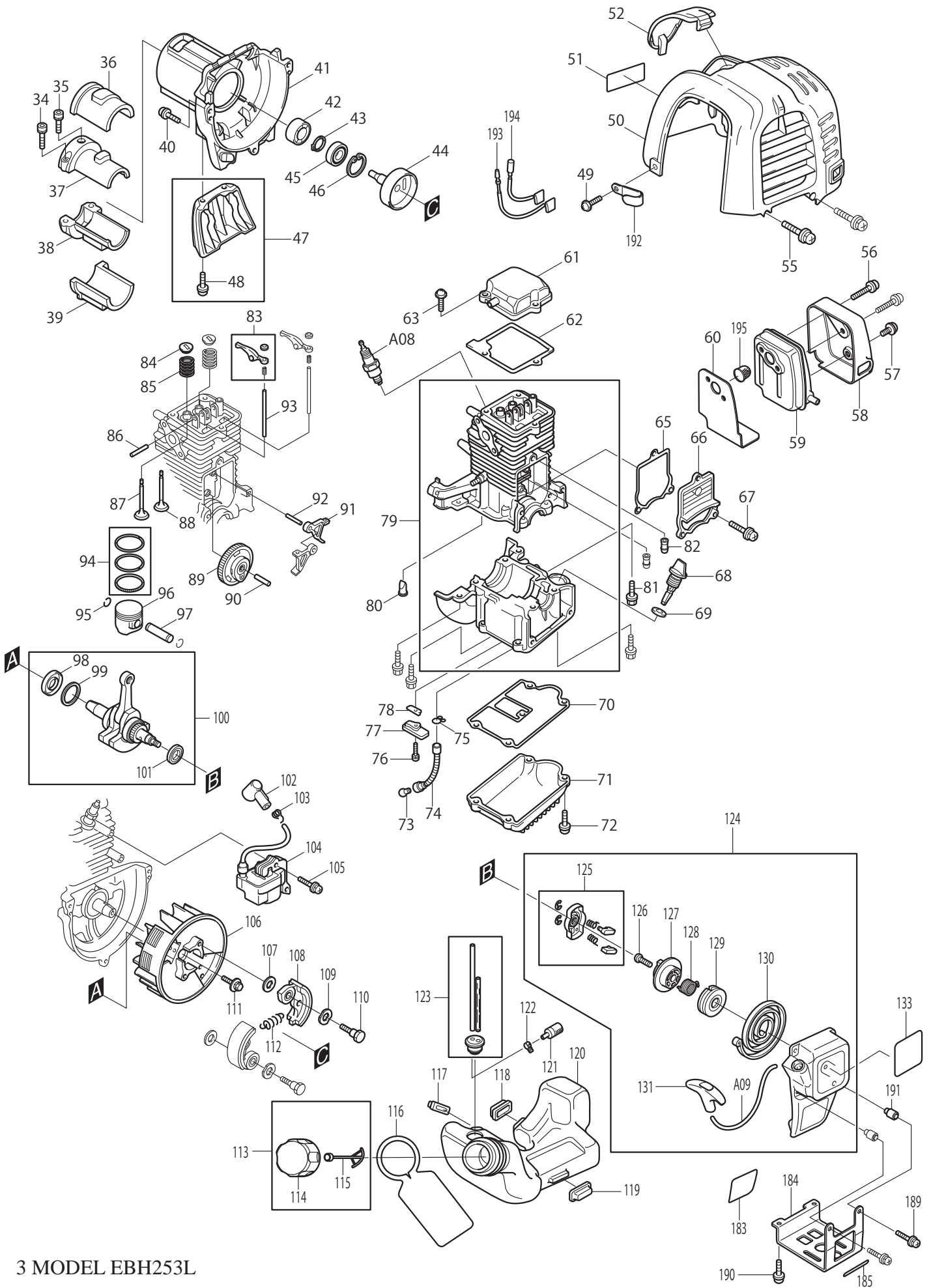
09 - 2010  
EBH253L  
24.5CC LINE TRIMMER, LOOP HANDLE

\* Item No. 1, Item No.20 Type 2  
See Service Change

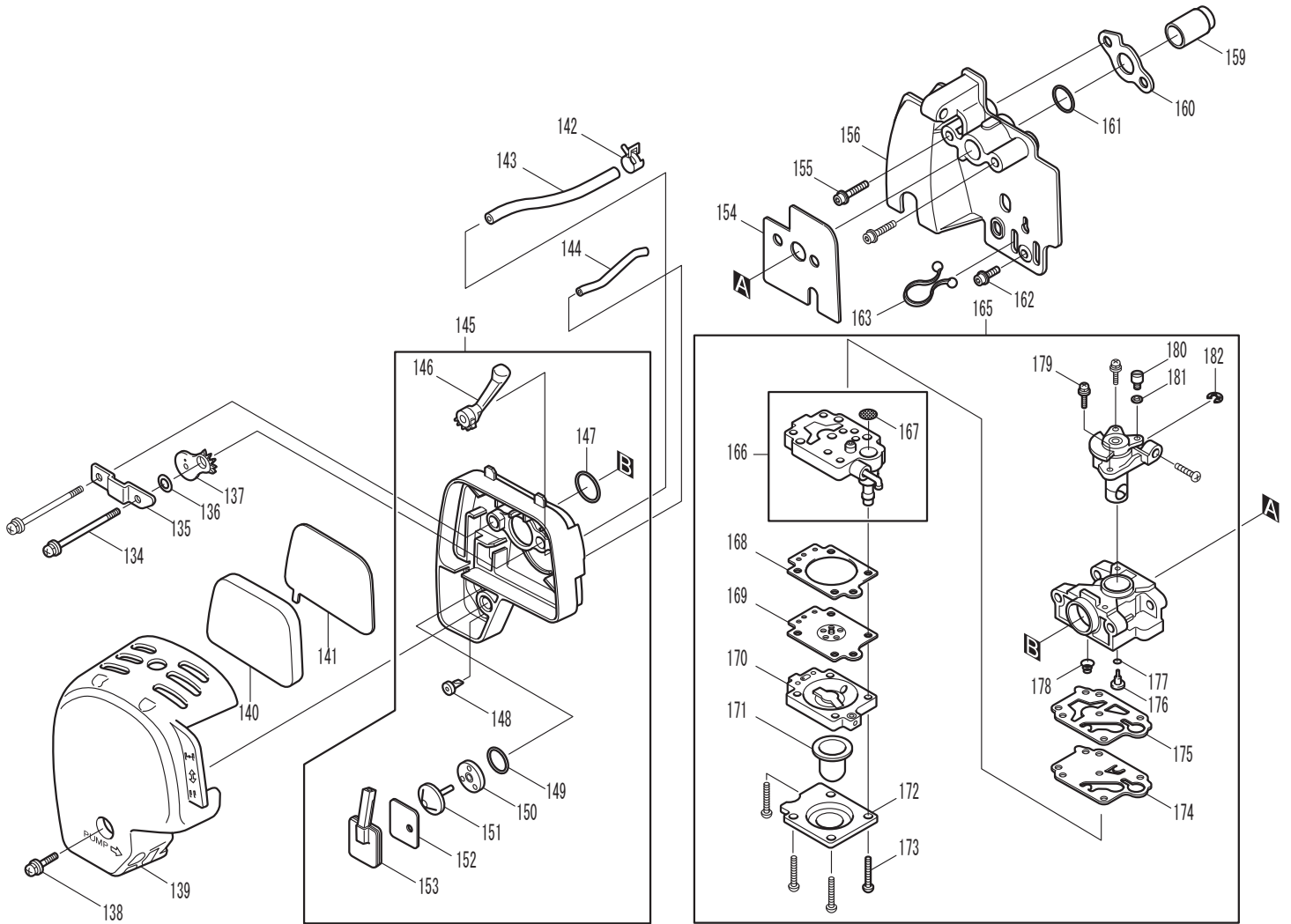


\*Item No.3: See Service Change (Pg.10-11) for Type 2





3 MODEL EBH253L



Item No	Type	Ref	Re Part No	SC Description	Qty	Unit
001	3		195215-3	* LOOP HANDLE SET	1	PC.
		INC.	783014-1	* + SCREW DRIVER 2 (Added)	1	PC.
		INC.		* Item No. 224-226		
002	1		450659-7	* SPACER	1	PC.
	2		451601-1	* SPACER 24	1	PC.
003	2		125759-9	* CONTROL LEVER ASSEMBLY	1	PC.
		INC.		* Item No. 208-223		
	3		126487-9	* CONTROL LEVER ASSEMBLY	1	PC.
		INC.		* Item No. 208-223		
004			195143-2	HANGER SET	1	PC.
		INC.		Item No. 5		
005			911233-1	PAN HEAD SCREW M5X20	1	PC.
006			140041-5	SHAFT PIPE COMPLETE	1	PC.
007			810541-6	CAUTION LABEL	1	PC.
008	4		814E64-6	DATE CODE LABEL	1	PC.
009	2		327056-1	SHAFT	1	PC.
010	2		922206-9	* H.S.H.BOLT M5X10	2	PC.
011	2		126265-7	* GEAR CASE ASSEMBLY	1	PC.
		INC.		* Item No. 14-18,20,23-28		
014			210049-4	BALL BEARING 609ZZ	1	PC.
015			961005-4	RETAINING RING S-9	1	PC.
016			962103-7	RETAINING RING R-24	1	PC.
017			922241-7	HEX. SOCKET HEAD BOLT M5X25	1	PC.
018			265590-2	+HEX.BOLT M8X10 WITH R	1	PC.
020	4		187547-2	* CUTTER SHAFT SET (Item 13,19,21,22)	1	PC.
023			210115-7	BALL BEARING 6001LLU	1	PC.
024			962106-1	RETAINING RING R-28	1	PC.
025			331861-0	RECEIVE WASHER	1	PC.
026	2		346660-7	* CLAMP WASHER	1	PC.
027			168526-9	CUP	1	PC.
028	2		264088-6	* HEX. LOCK NUT M10-17	1	PC.
029	2		452260-4	* PROTECTOR	1	PC.
031	3		266280-0	* HEX SOCKET HEAD BOLT M6X25	2	PC.
032	2		347012-5	* PROTECTOR CLAMP 24	1	PC.
033			266326-2	TAPPING SCREW 4X18	1	PC.
034			922226-3	HEX. SOCKET HEAD BOLT M5X18	2	PC.
035			922211-6	HEX. SOCKET HEAD BOLT M5X12	1	PC.
036			424191-7	PIPE DAMPER 1	1	PC.
037			318270-0	PIPE BRACKET 1	1	PC.
038			318271-8	PIPE BRACKET 2	1	PC.
039			424107-2	PIPE DAMPER 2	1	PC.
040	2		922222-1	HEX. SOCKET HEAD BOLT M5X16	3	PC.
041			318329-3	CLUTCH CASE	1	PC.
042			450569-8	SPACER	1	PC.
043			961052-5	RETAINING RING S-12	1	PC.
044	2		168809-7	* CLUTCH DRUM COMPLETE	1	PC.
045	2		210111-5	BALL BEARING 6201LLU	1	PC.
046			962151-6	RETAINING RING R-32	1	PC.
047			195144-0	STAND SET	1	PC.
		INC.		Item No. 48		
048			911218-7	PAN HEAD SCREW M5X14 W/WASHER & SPRING WASHER	2	PC.
049	2		911213-7	PAN HEAD SCREW M5X12	2	PC.
050			450654-7	CYLINDER COVER	1	PC.
051			819312-8	MAKITA LOGO LABEL	1	PC.
052	2		452144-6	PLUG COVER	1	PC.
053			808633-3	4STROKE INDICATION LABEL (N/L/A as individual part)	1	PC.
055	2		911128-8	PAN HEAD SCREW M4X16	2	PC.

Item No	Type	Ref	Re Part No	SC Description	Qty	Unit
056			266440-4	HEX SOCKET HEAD BOLT M5X40	2	PC.
057			265184-3	+ TRUSS HEAD SCREW M5X5	1	PC.
058			345915-7	MUFFLER COVER	1	PC.
059			168469-5	EXHAUST MUFFLER	1	PC.
060			345916-5	MUFFLER GASKET	1	PC.
061	2		140B46-7	ROCKER COVER COMPLETE	1	PC.
062			162275-0	ROCKER COVER GASKET	1	PC.
063	2		922223-9	H.S.H.BOLT M5X16 WITH WR	3	PC.
065			162274-2	CAM GEAR COVER GASKET	1	PC.
066			318443-5	CAM GEAR COVER	1	PC.
067	3		922217-4	HEX. SOCKET HEAD BOLT M5X14	3	PC.
068			450565-6	OIL GAUGE	1	PC.
069			424100-6	GASKET	1	PC.
070			162276-8	CASE GASKET	1	PC.
071			318442-7	OIL CASE	1	PC.
072	3		922217-4	HEX. SOCKET HEAD BOLT M5X14	4	PC.
073			325666-8	OIL WEIGHT	1	PC.
074			424202-8	OIL TUBE	1	PC.
075			282020-8	HOSE CLAMP	1	PC.
076	3		922112-8	HEX. SOCKET HEAD BOLT M4X10	1	PC.
077			318440-1	RETAINER PLATE	1	PC.
078			346083-9	LEAD VALVE	1	PC.
079	2		135375-9	CYLINDER BLOCK ASSEMBLY	1	PC.
		INC.		Item No. 80-82		
080			424201-0	CHECK VALVE	2	PC.
081	2		922217-4	HEX. SOCKET HEAD BOLT M5X14	8	PC.
082			424200-2	SPACER	2	PC.
083			125554-7	ROCKER ARM ASSEMBLY	2	PC.
084			325668-4	SPRING RETAINER	2	PC.
085			234108-0	COMPRESSION SPRING 9	2	PC.
086			256200-2	PIN 5	1	PC.
087	2		326367-1	INTAKE VALVE	1	PC.
088	2		326366-3	EXHAUST VALVE	1	PC.
089			125552-1	CAM GEAR ASSEMBLY	1	PC.
090			268238-5	PIN 5	1	PC.
091			313169-4	CAM LIFTER	2	PC.
092			268239-3	PIN 4	1	PC.
093			256865-0	ROD 2.5	2	PC.
094	2		196595-0	PISTON RING SET	1	SET
095			233976-8	CLIP	2	PC.
096			318441-9	PISTON	1	PC.
097			257781-9	PISTON PIN	1	PC.
098	2		213089-1	OIL SEAL 12	1	PC.
099			267400-9	FLAT WASHER 23	1	PC.
100	3		135539-5	CRANKSHAFT ASSEMBLY	1	PC.
101	2		213769-9	OIL SEAL 10	1	PC.
102			424105-6	PLUG CAP	1	PC.
103			324891-8	PLUG CAP SPRING	1	PC.
104	2		168816-0	* IGNITION COIL	1	PC.
105	2		922138-0	H.S.H.BOLT M4X20 WITH WR	2	PC.
106	2		319012-5	FLYWHEEL	1	PC.
107			267812-6	WASHER 6	2	PC.
108	2		161332-1	CLUTCH SHOE	2	PC.
109			267817-6	WASHER 8	2	PC.
110	2		266864-4	SHOULDER HEX. BOLT M6X25	2	PC.
111			265577-4	HEX HEAD BOLT M6X16	1	PC.
112	2		231881-3	* TENSION SPRING 7	1	PC.

Item No	Type	Ref	Re Part No	SC Description	Qty	Unit
113			125472-9	FUEL TANK CAP ASSEMBLY	1	PC.
		INC.		Item No. 114,115		
114			140435-4	FUEL TANK CAP	1	PC.
115			140436-2	STRAP COMPLETE	1	PC.
116			810455-9	CAUTION PLATE	1	PC.
117			424102-2	PLATE	1	PC.
118			424103-0	PLATE	1	PC.
119			424104-8	DAMPER	1	PC.
120	1		451251-2	* FUEL TANK (For the machine produced in or before 2011)	1	PC.
120	3		123417-1	* FUEL TANK ASSEMBLY	1	PC.
		INC.		* Item No. 113, 121-123		
121	2		163447-0	FUEL FILTER	1	PC.
122			345920-4	HOSE CLAMP	1	PC.
123	2		168770-8	TUBE COMPLETE	1	PC.
124			195147-4	RECOIL STARTER SET	1	PC.
		INC.		Item No. 125-132		
125			168471-8	PULLEY	1	PC.
126			266585-8	TAPPING SCREW 5X12	1	PC.
127			451940-9	CAM PLATE	1	PC.
128	2		233578-0	DAMPER SPRING	1	PC.
129			451939-4	REEL	1	PC.
130			232258-5	SPIRAL SPRING	1	PC.
131			424319-7	STARTER KNOB	1	PC.
133			809116-6	EBH253L MODEL NO. LABEL	1	PC.
134			265188-5	+PAN HEAD SCREW M5X68	2	PC.
135			345919-9	PLATE	1	PC.
136			423376-2	GASKET	1	PC.
137			450560-6	CHOKE PLATE	1	PC.
138			911218-7	PAN HEAD SCREW M5X14 W/WASHER & SPRING WASHER	1	PC.
139			450561-4	AIR CLEANER COVER	1	PC.
140			443141-3	AIR CLEANER ELEMENT	1	PC.
141			443140-5	AIR CLEANER ELEMENT	1	PC.
142			345918-1	HOSE CLAMP	1	PC.
143			422041-0	BREATHER PIPE	1	PC.
144			422042-8	PIPE	1	PC.
145	2		123845-0	CLEANER PLATE ASSEMBLY	1	PC.
		INC.	455407-9	AIR CLEANER PLATE	1	PC.
		INC.		Item NO. 146 - 153	1	PC.
146	2		457241-3	CHOKE LEVER	1	PC.
147	2		213094-8	O RING 15	1	PC.
148	2		424938-9	CHECK VALVE	1	PC.
149	2		213093-0	O RING 14	1	PC.
150	2		457240-5	CHECK VALVE PLATE	1	PC.
151	2		424937-1	CHECK VALVE	1	PC.
152	2		161572-1	SEPARATOR GASKET	1	PC.
153	2		161571-3	SEPARATOR PLATE	1	PC.
154			413121-3	CARBURETOR GASKET	1	PC.
155			922228-9	H.S.H.BOLT M5X18 WITH WR	2	PC.
156			450559-1	INSULATOR	1	PC.
159			324961-3	INTAKE PIPE	1	PC.
160			413120-5	INSULATOR GASKET	1	PC.
161			213078-6	O-RING 10	1	PC.
162			922213-2	H.S.H.BOLT M5X12 WITH WR	1	PC.
163			450562-2	CLAMP	1	PC.
165			168497-0	CARBURETOR	1	PC.
		INC.		Item No. 166,168-182		
166			140437-0	PUMP BODY	1	PC.
		INC.		Item No. 167		

Item No	Type	Ref	Re Part No	SC Description	Qty	Unit
167	2		WJ00014070	INLET SCREEN	1	PC.
168			442154-1	METERING DIAPHRAGM GASKET	1	PC.
169	3		WJ00095586	METERING DIAPHRAGM	1	PC.
170			140438-8	AIR PURGE BODY	1	PC.
171			424314-7	PRIMER PUMP	1	PC.
172			346270-0	PRIMER PUMP COVER	1	PC.
173			266582-4	TAPPING SCREW 3X24	4	PC.
174	2		WJ00009599	PUMP DIAPHRAGM	1	PC.
175			442155-9	PUMP GASKET	1	PC.
176			325924-2	JET	1	PC.
177			213538-8	O RING 2	1	PC.
178			234183-6	CONICAL COMPRESSION SPRING 5-9	1	PC.
179	1		266581-6	PAN HEAD SCREW M3X8 WITH W	2	PC.
	2		WJ00096364	SCREW M3X8 WITH WASHER	2	PC.
180			325922-6	SWIVEL	1	PC.
181			413140-9	WASHER	1	PC.
182			257964-1	STOP RING E-3	1	PC.
183	2		808720-8	GAS EMISSION APPROVAL LABEL (N/L/A for Repair)	1	PC.
184			345964-4	TANK GUARD	1	PC.
185	2		814998-3	SERIAL LABEL	1	PC.
186	2		347050-7	CUTTER	1	PC.
187	3		135398-7	PROTECTOR EXTENSION ASSY	1	PC.
	4		135753-3	PROTECTOR EXTENSION ASSY	1	PC.
		INC.		Item No. 33, 186		
189			911148-2	PAN HEAD SCREW M4X25	2	PC.
190	2		911213-7	PAN HEAD SCREW M5X12	2	PC.
191			331835-1	SPACER	2	PC.
192			345963-6	CLAMP	1	PC.
193	1		638664-6	* LEAD UNIT	1	PC.
	2		632E38-3	* LEAD UNIT	1	PC.
194	1		638665-4	* LEAD UNIT	1	PC.
	2		632E39-1	* LEAD UNIT	1	PC.
195			324980-9	SPARK ARRESTOR	1	PC.
196	2		266845-8	BINDING HEAD SCREW M5X25	4	PC.
197	2		264093-3	HEX NUT M5	4	PC.
208			233540-5	TORSION SPRING 11 (F/ Item 3 Type2)	1	PC.
209			233541-3	TORSION SPRING 7 (F/ Item 3 Type2)	1	PC.
210			266326-2	TAPPING SCREW 4X18 (F/ Item 3 Type2)	4	PC.
211	2		922206-9	* H.S.H.BOLT M5X10	2	PC.
212			188832-6	LEVER CASE SET (F/ Item 3 Type2)	1	PC.
213			346248-3	CLAMP 24 (F/ Item 3 Type2)	2	PC.
214			266130-9	TAPPING SCREW BIND PT 3X16 (F/ Item 3 Type2)	1	PC.
215			168549-7	CONTROL CABLE (F/ Item 3 Type2)	1	PC.
216			232251-9	LEAF SPRING (F/ Item 3 Type2)	1	PC.
217	2		455313-8	* THROTTLE LEVER (F/ Item 3 Type2)	1	PC.
218			451593-4	LOCK LEVER (F/ Item 3 Type2)	1	PC.
219			451594-2	SWITCH LEVER (F/ Item 3 Type2)	1	PC.
220			451595-0	SWITCH COVER (F/ Item 3 Type2)	1	PC.
221			451602-9	CORRUGATE TUBE (F/ Item 3 Type2)	1	PC.
222			638676-9	LEAD UNIT (F/ Item 3 Type2)	1	PC.
223			638677-7	LEAD UNIT (F/ Item 3 Type2)	1	PC.
224			451598-4	LOOP HANDLE 24	1	PC.
225			451599-2	HANDLE CLAMP 24	1	PC.
226	2		911253-5	PAN HEAD SCREW M5X30	4	PC.
227			413143-3	* WASHER (For Item No. 31, #266579-3) (Added) (No image)	2	PC.



Item No	Type	Ref	Re Part No	SC Description	Qty	Unit
228			808723-2	CAUTION LABEL (Added)	1	PC.
C01	2		879689-3	CARTON F/EBH253L	1	PC.
E01	1		808143-0	INDICATION LABEL	1	PC.
	2		890317-7	INDICATION LABEL	1	PC.
E02			819432-8	CAUTION TAG (10 LANGUAGES)	1	PC.
<b>ACCESSORIES</b>				<b>- See catalogue or visit <a href="http://www.makita.ca">www.makita.ca</a> for more accessories information -</b>		
A01			125516-5	BAND ASSEMBLY (SHOULDER HARNESS)	1	PC.
A03			783013-3	BOX DRIVER 16-17	1	PC.
A04	3		783217-7	HEX. WRENCH 5	1	PC.
A05	2		783202-0	HEX. WRENCH 4 (OLD# 783223-2)	1	PC.
A06			831304-7	ACCESSORY BAG	1	PC.
A07	2		B-05125	* ULTRA AUTO 4XL HEAD ASSY LH M10-1.25	1	PC.
	3		123234-9	* ULTRA AUTO 4L HEAD ASSY LH M14x1.25	1	PC.
A08	3		135753-3	* PROTECTOR EXTENSION ASSY	1	PC.
		INC.		* Item No. 33,186		
A09			168534-0	SPARK PLUG (CMR4A)	1	PC.
A10	4		197007-6	OIL SET (4 STROKE ENGINE OIL 80CC) - N/A as repair parts	1	PC.
A15			197678-9	ENGINE MAINTENANCE KIT F/EH025, EH035	1	PC.
		INC.		Item No. 121, 140, 141, A09		
A16			444020-8	STARTER ROPE	1	PC.

**SERVICE CHANGES**

**1. Changes on Handle Assy > Loop Handle Set**

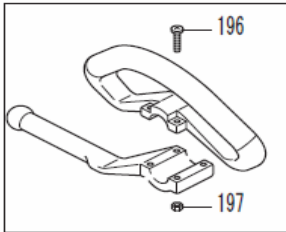
Item No.	Description	Type 1	Type 2	Type 3
1	Handle Assy/ Loop Handle Set	125567-8		195215-3
2	Spacer	450659-7		451601-1
3	Control Lever Assy	125495-7	125759-9	126487-9

Above parts are completely interchangeable as a set.

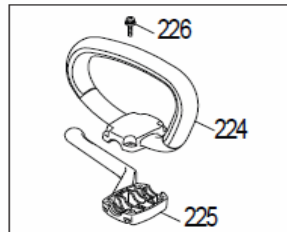
(T/I# 87170A , 87505)

(TI#A2941)

**Item No.1 Handle Assy/ Loop Handle Assy**

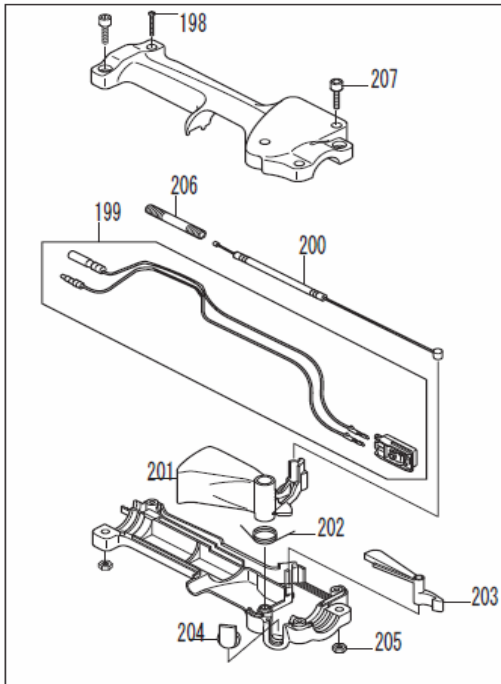


Type1

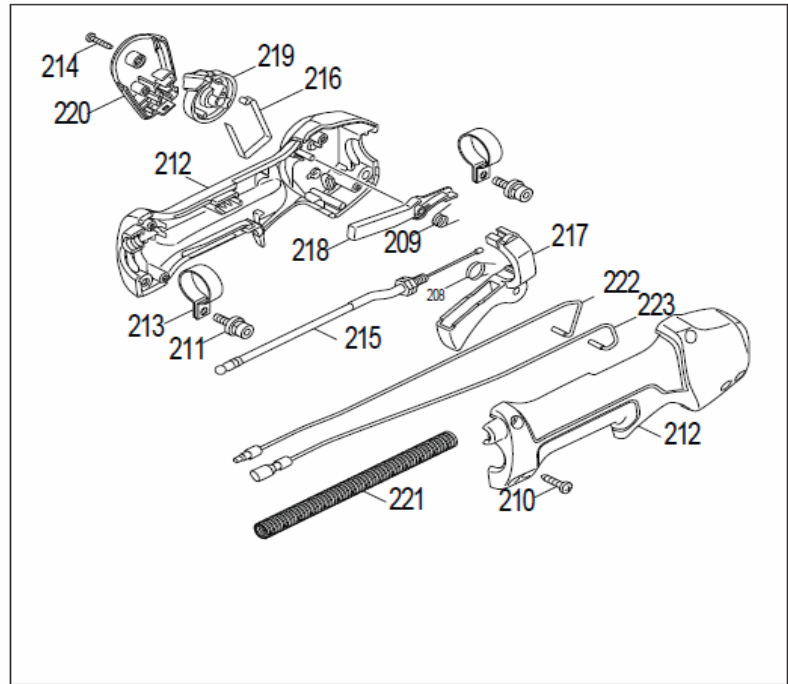


Type2

**Item No. 3 Control Lever Assy**



Type1



Type2

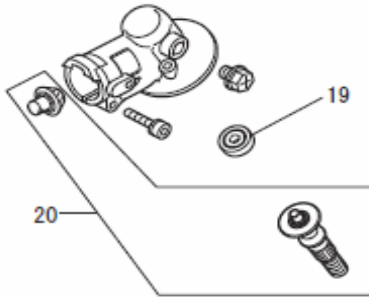
## 2. Changes on Cutter Shaft Set

Item No.	Description	Type 1	Type 2	Type 3
20	Cutter Shaft Set	140039-2	188866-9	188902-1
21	Spiral Bavel Gear 19	227552-8 (N/A)	-----	-----
22	Cutter Shaft	325676-5 (N/A)	-----	-----
19	Ball Bearing 626	211019-6		-----

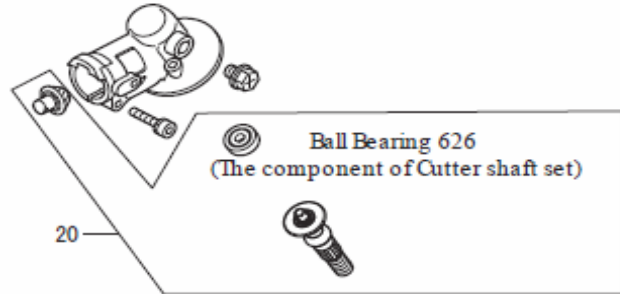
Above parts are completely interchangeable as a set.

(T/I# Y05500, 87587)

### Item No. 20 Cutter Shaft Set



Type1



Type2

## 3. Changes on Protector Extension Assy

Item No.	Description	Type 1	Type 2
29	Protector	451098-4	452260-4
A08	Protector Extension Assy	135361-0	135398-7

Above parts are completely interchangeable as a set.

(T/I# 88011)

## 4. Changes on H.S.H Bolt M6x30 and addition of washer

Item No.	Description	Type 1	Type 2
31	H.S.H Bolt M6X30	922353-6	266579-3
227	Washer	-----	266579-3

Above parts are completely interchangeable as a set.

(T/I# 87170)

## 5. Changes on Tension Spring In Clutch Assembly

Item No.	Description (Type 1 > Type 2)	Type 1	Type 2
112	Tension Spring 6 > Tension Spring 7	231858-8	231881-3

(T/I# Y06373)



Tension spring 6 (231858-8)  
Free length: 27 mm

Type 1



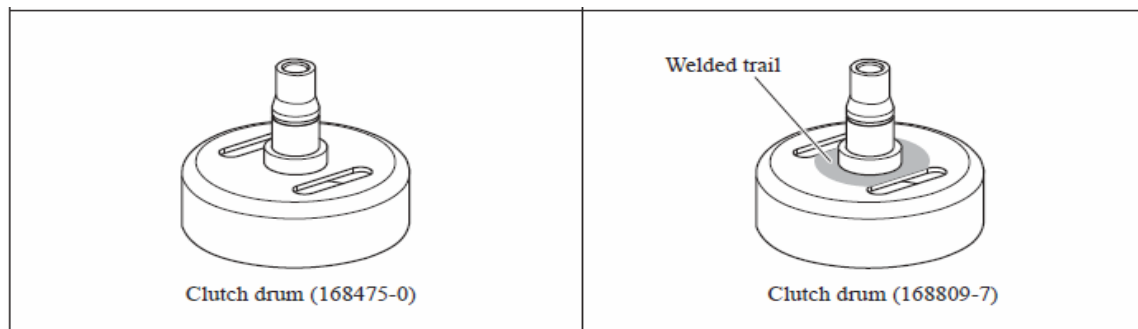
Tension spring 7 (231881-3)  
Free length: 35 mm

Type 2

## 6. Changes on Clutch drum

Item No.	Description	Type 1	Type 2
44	Clutch Drum	168475-0	168809-7

(T/I# 99822)



Type 1

Type 2

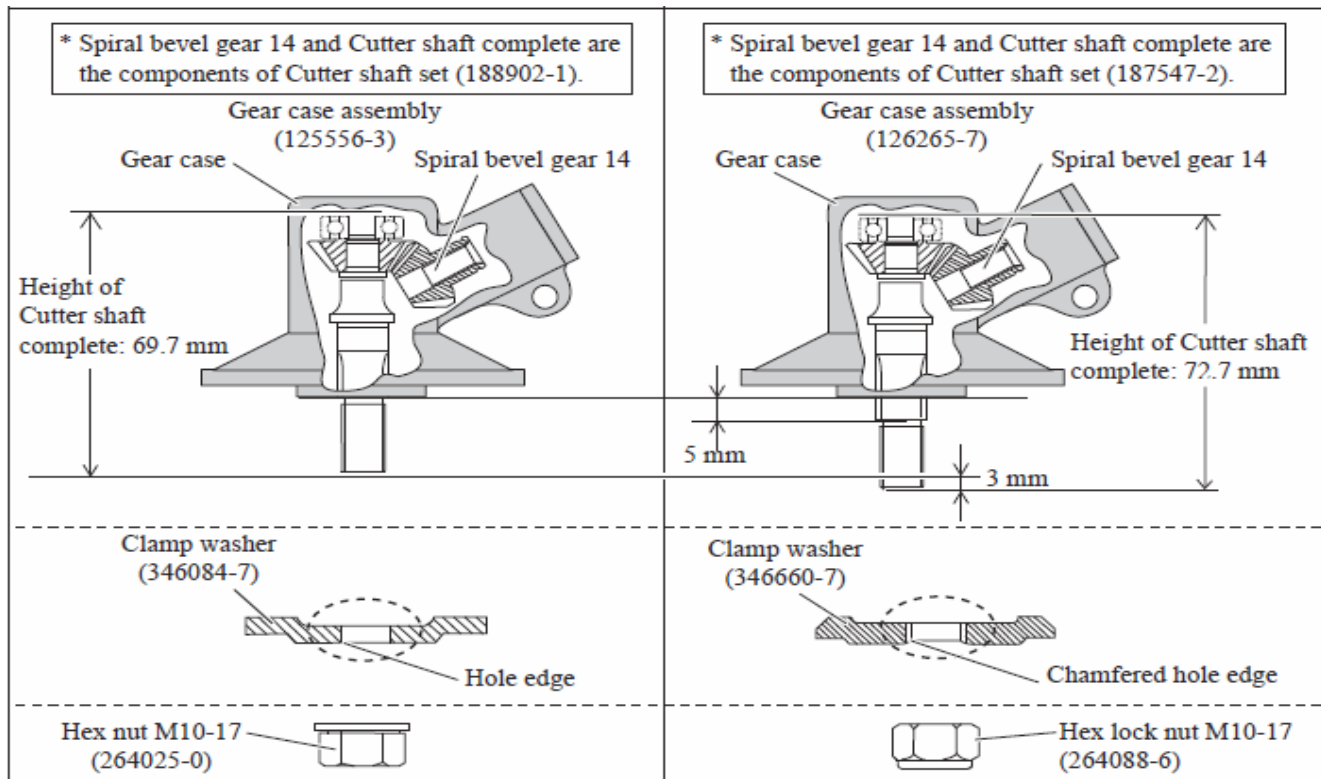
## 7. Changes on Gear Case Assembly

Item No.	Description	Type 1	Type 2
11	Gear Case Assembly	125556-3	126265-7
20	Cutter Shaft Set	188902-1	187547-2
26	Clamp Washer	346084-7	346660-7
28	Hex Nut M10-17 >Hex Lock Nut M10-17	264025-0	264088-6
A07	ULTRA AUTO 4	B-05125 (M10)	123234-9 (M14)

Above parts are completely interchangeable as a set.

(T/I# 97725, B0300)

Item No. 20, 26, 28 are component of Gear Case Assy  
Implementation from November 2012



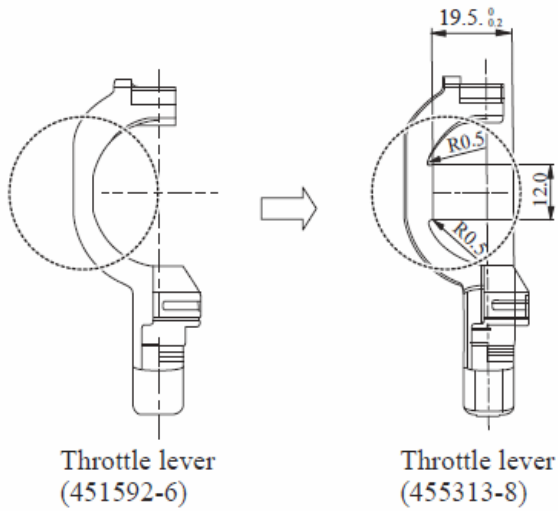
Type 1

Type 2

**8. Changes on Throttle lever**

(TI#A2941)

Item No.	Description	Type 1	Type 2
217	Throttle lever	451592-6	455313-8

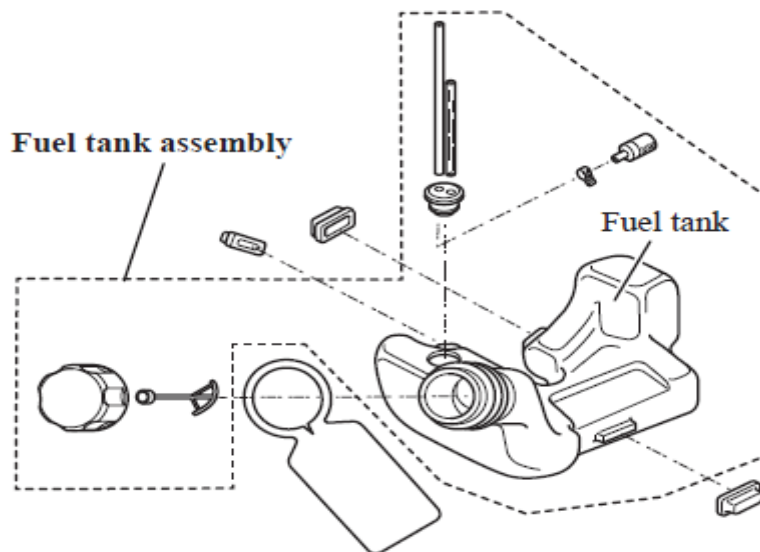


**9. Changes on Fuel Tank**

(TI#A7689)

Item No.	Description	Type 2	Type 3
120	Fuel Tank >> Fuel Tank Assembly	454004-8	123417-1
Inc.		-----	Item No. 113, 121-123

**Type 3**



**10. Changes on Ignition coil, Lead unit**

(TI#B1493)

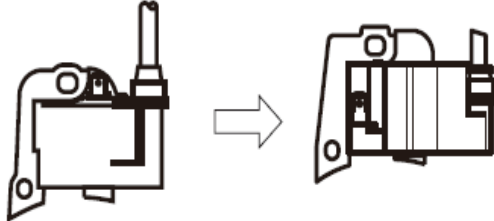
Item No.	Description	Type 1	Type 2
104	Ignition Coil	168501-5	168816-0
193	Lead Wire	638664-6	632E38-3
194	Lead Wire	638665-4	632E39-1

Above parts are completely interchangeable as a set.  
Implementation from serial No. 155549Y (February 2016)

**Type 1**

**Type 2**

\*Ignition coil: Terminal positions to connect Lead unit are different.



\*Lead wire: One of Terminal has been changed from Flag type to straight type.



**11. Changes on related parts for Elimination of Protector cover**

(TI#B2856)

Item No.	Description	Type 1	Type 2
10	H.S.H.Bolt M5X14 With WR	922218-2	922206-9
211	>H.S.H.Bolt M5X10		
30	Protector Cover	451097-6	-----
31	Hex Socket Head Bolt M6X30 > M6X25	266579-3	266280-0
32	Protector Clamp > Protector Clamp 24	346073-2	347012-5

Above parts are completely interchangeable as a set.

A08	Protector extension Assy	135398-7	135753-3
-----	--------------------------	----------	----------

